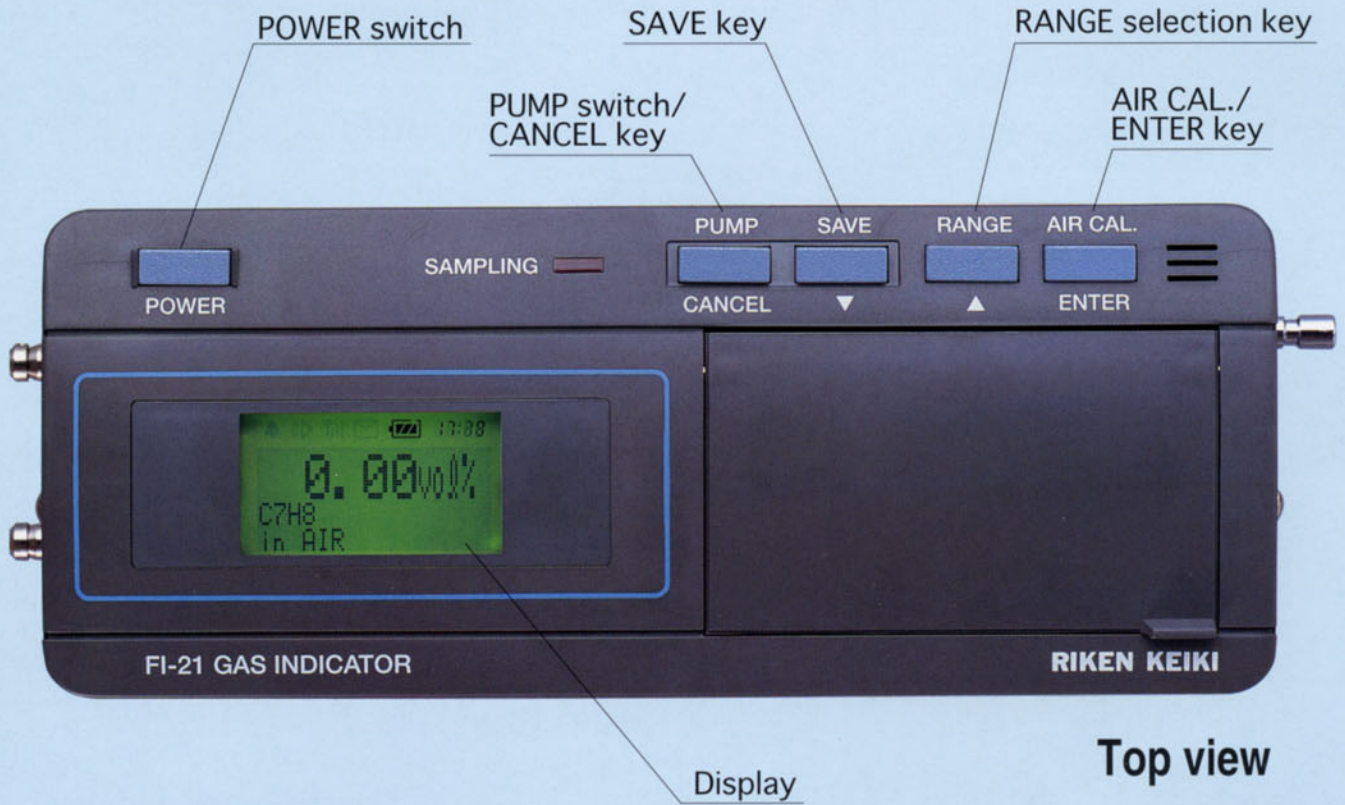


Unique Electronics Interferometer Method Provides High Accuracy



Display screen (Example)



TYPE-01 For solvent gas (vol%)



TYPE-03 For fumigation gas

MEASURING GASES AND RANGES

Please specify the type listed below when ordering.

Model FI-21 TYPE-01 (FOR SOLVENT GASES vol%)

Name of gas	Symbol	Measuring range
Toluene in air	C7H8 in AIR	0~2vol%
Methyl ethyl ketone in air	MEK in AIR	0~5vol%
Ethyl acetate in air	EtAc in AIR	0~5vol%
Xylene in air	C8H10 in AIR	0~1vol%
Isopropyl alcohol in air	IPA in AIR	0~2vol%
Methyl isobutyl ketone in air	MIBK in AIR	0~1vol%
Methanol in air	CH3OH in AIR	0~6vol%

Model FI-21 TYPE-02 (FOR SOLVENT GASES %LEL)

Name of gas	Symbol	Measuring range
Toluene in air	C7H8 in AIR	0~100%LEL
Methyl ethyl ketone in air	MEK in AIR	0~100%LEL
Ethyl acetate in air	EtAc in AIR	0~100%LEL
Xylene in air	C8H10 in AIR	0~100%LEL
Isopropyl alcohol in air	IPA in AIR	0~100%LEL
Methyl isobutyl ketone in air	MIBK in AIR	0~100%LEL
Methanol in air	CH3OH in AIR	0~100%LEL

Model FI-21 TYPE-03 (FOR FUMIGATION GASES)

Name of gas	Symbol	Measuring range
Methyl bromide in air	CH3Br in AIR	0~200mg/l
Phosphine in air	PH3 in AIR	0~50mg/l
Methyl iodide in air	CH3I in AIR	0~200mg/l
Methyl bromide in air	CH3Br in AIR	0~5vol%
Propylene oxide in air	PO in AIR	0~10vol%
Oxygen in N ₂	O ₂ in N ₂	0~100vol%

Model FI-21 TYPE-04 (FOR GAS PURITY)

Name of gas	Symbol	Measuring range
Helium in air	He in AIR	0~100vol%
Neon in air	Ne in AIR	0~100vol%
Hydrogen in air	H ₂ in AIR	0~100vol%
Methane in air	CH ₄ in AIR	0~100vol%
Carbon dioxide in air	CO ₂ in AIR	0~100vol%
Ammonia in air	NH ₃ in AIR	0~100vol%
Hydrogen in N ₂	H ₂ in N ₂	0~100vol%
Hydrogen in CO ₂	H ₂ in CO ₂	0~100vol%

Model FI-21 TYPE-05 (FOR ANAESTHETIC GASES)

Name of gas	Symbol	Measuring range
Halothane in O ₂	HALOTHANE in O ₂	0~6vol%
Isoflurane in O ₂	ISOFLURANE in O ₂	0~8vol%
Sevoflurane in O ₂	SEVOFLURANE in O ₂	0~10vol%
Desflurane in O ₂	DESFLURANE in O ₂	0~20vol%
Halothane in air	HALOTHANE in AIR	0~6vol%
Isoflurane in air	ISOFLURANE in AIR	0~8vol%
Sevoflurane in air	SEVOFLURANE in AIR	0~10vol%
Desflurane in air	DESFLURANE in AIR	0~20vol%

Please consult with us for other gases.

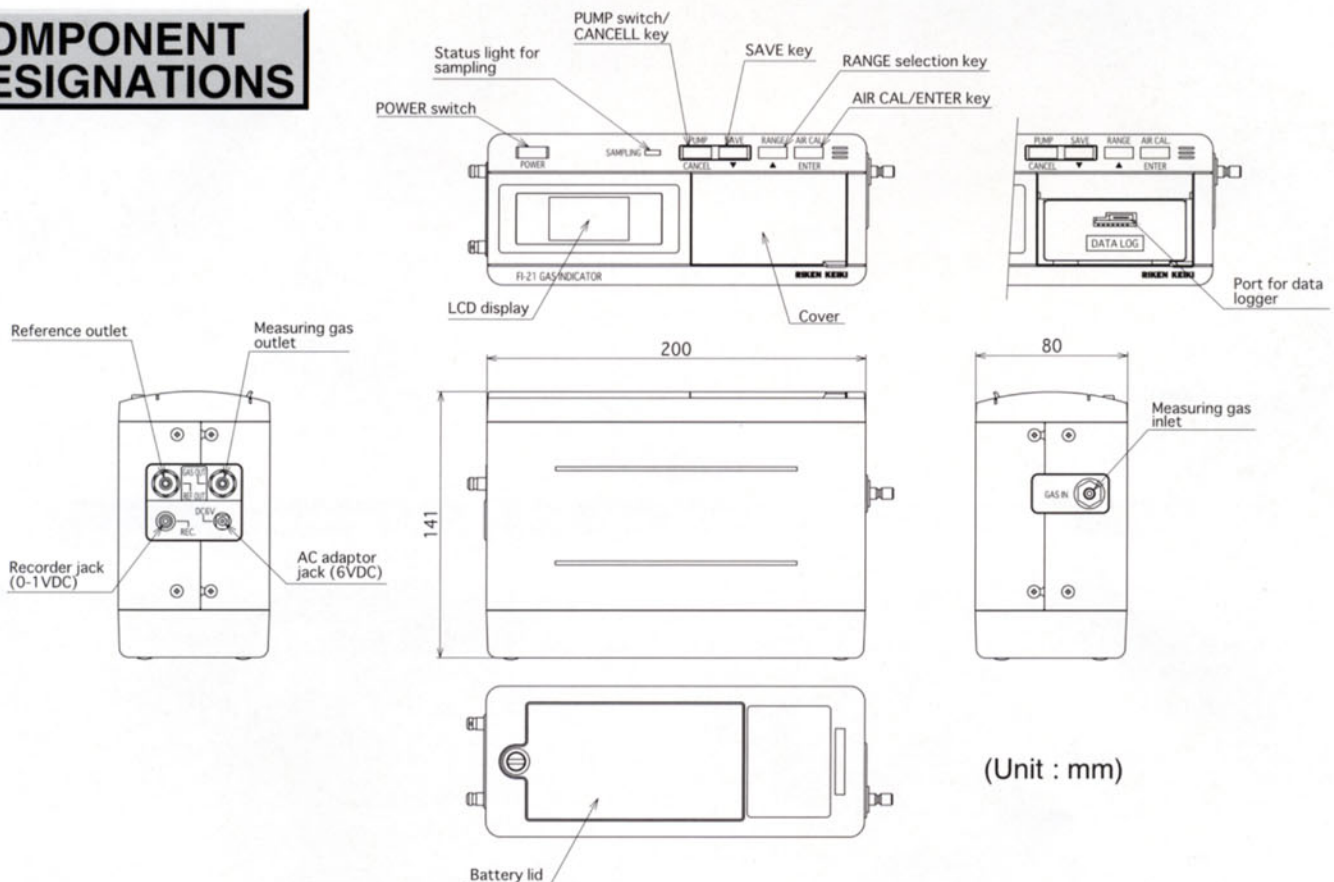
SPECIFICATIONS

MODEL FI-21

Model	FI-21
Detection principle	Optical interferometric method
Display	Digital display (Measuring gas, base gas, gas concentration, time, etc.)
Structure	Non-explosion proof
Measuring method	Batch measurement
Gas sampling method	Suction by internal pump (Pump stops operation while reading)
Indication accuracy	Within $\pm 3\%$ of the indication value ± 1 digit
Outputs	Data logger, 0-1VDC
Data logging function	Day, time (24 hours) and measurement results Maximum recording : 100 data points
Operating temp. & humidity	5-35°C, below 80%R.H.
Operating pressure	Atmospheric pressure
Power source	C size alkaline batteries (4pcs) or AC adaptor (option)
Battery life	Approx. 20 hours (without sampling)
Dimensions & weight	Approx. 200(W) × 80(H) × 145(D)mm, 2kg
Standard accessories	Carrying case, absorption tube, sampling hose, C size alkaline batteries (4pcs), sampling "T" piece (For anaesthetic application only)
Optional accessories	AC adaptor, data logger software, cable for data logger

Specifications subject to change without notice.

COMPONENT DESIGNATIONS



RIKEN KEIKI CO.,LTD.

2-7-6, Azusawa, Itabashi-ku, Tokyo 174-8744, Japan

Phone: TOKYO (03) 3966-1113

Telefax: TOKYO (03) 3558-9110 (GIII)

E-mail address: intdept@rikenkeiki.co.jp

Telex: 272 2638 RKNFNE

Cable: RIKENFINE TOKYO

★Distributed by: